

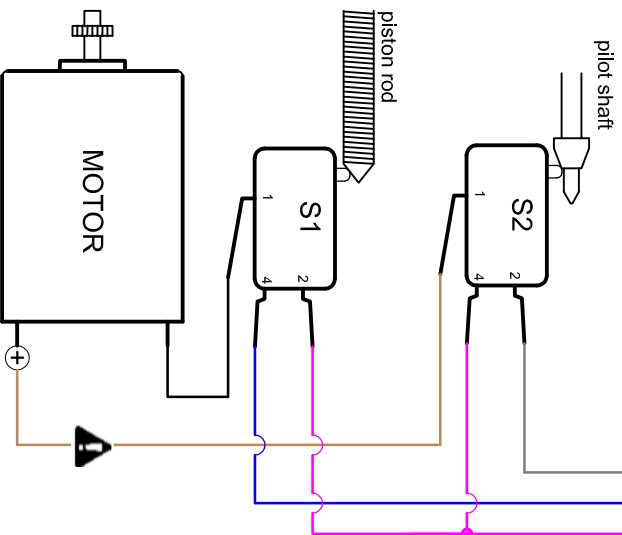
TAE3

Wiring Diagram

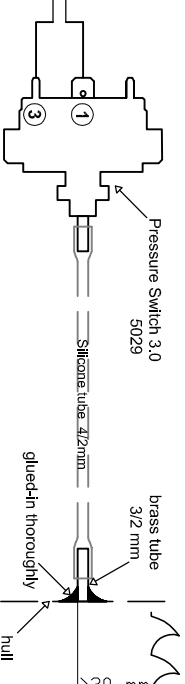
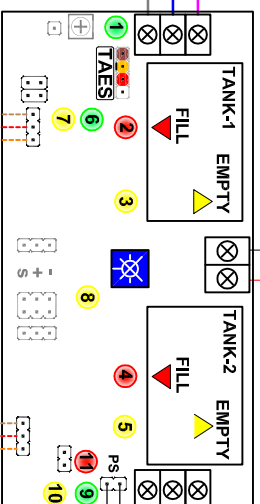
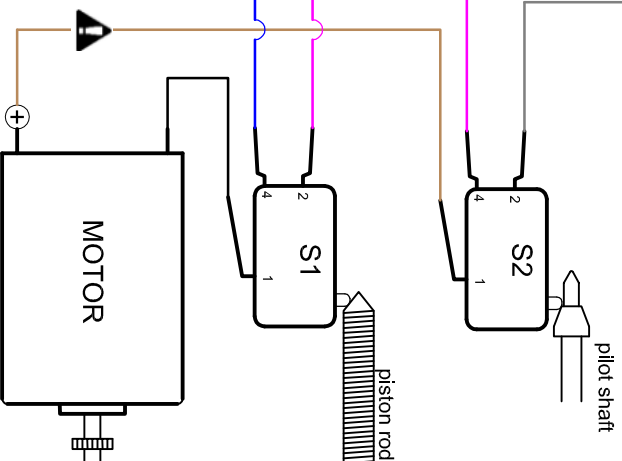
V1217

HALL

Piston Tank 1



Piston Tank 2



- Note + marking on motor back plate. Ensure correct direction of movement at first trial.
- With jumper plugged (signal = S) both piston tanks are operated via a single R/C channel.
- Wire lead connecting to receiver (Rx).
- Potentiometer for adjustment of low battery monitor. Turn clockwise for decreasing threshold voltage, turn anti-clockwise to increase.